

Produktinformation

Standard Signal Transmitter PMT50-1



- **Signal conditioning – Linearisation – Characteristic adjustment**
- **Input for standard signals 0/2..10 V and 0/4..20 mA**
- **Measuring range programmable**
- **Linearisation and characteristic adjustment programmable via 32 bases**
- **Automatic input fault detection**

Characteristics

The programmable universal transmitter PMT50 operates with analog input signals. The device convert input signals to analog output 0/4..20 mA; 0/2..10 V DC. The device offers a linearisation function for any sensor curves and a simulator function. The integrated transmitter supply 24 V DC max. 30 mA allows the feeding of 2-and 3-wire transmitter. 4 alarm outputs for monitoring and controlling are available.

Technical data

Power supply

Supply voltage : 230 V AC $\pm 10\%$
 115 V AC $\pm 10\%$
 24 V DC $\pm 15\%$

Power consumption : < 5 VA

Operating temperature : -10..+55 °C

CE – conformity : EN 61326-1:2013; EN 60664-1:2007

Input : 0/2..10 V, 0/4..20 mA

Ri : current 10 Ω

voltage 10 k Ω

Accuracy : < 0.1 %, ± 1 Digit

Transmitter supply : 24 V DC max. 30 mA

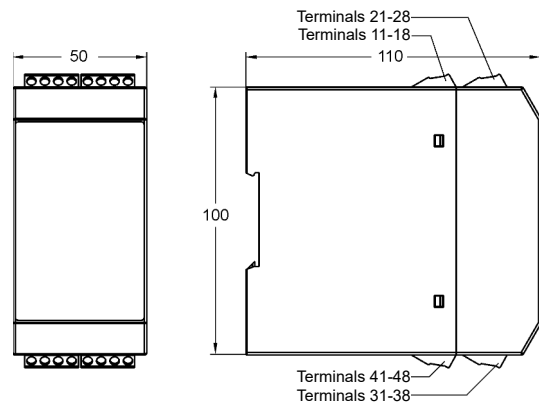
Fault detection : break of wire (only 4 mA / 2 V)

Outputs

Alarm outputs : relay SPDT
 < 250 V AC < 250 VA < 2 A $\cos \phi \geq 0,3$
 < 300 V DC < 40 W < 2 A

Analog output	: 0/4..20 mA burden $\leq 500 \Omega$, 0/2..10 V burden > 500 Ω , isolated output burden depending
Fault indication	: break of wire in the measuring circuit → analog output programmable 0 mA, < 3.6 mA or > 21.5 mA → alarm relay(s) min. or max. programmable
Display	: graphic-LCD-Display, 128 x 64 Pixel, with white LCD backlight
Case	: Polyamide (PA) 6.6 , UL94V-0 acc. to DIN EN 60715, DIN rail TS35
Weight	: approx. 450 g
Connection	: screw terminals 0.14..2.5 mm ² AWG 26..AWG14
Protection class	: case IP30, terminals IP20 acc. to BGV A3

Dimensions



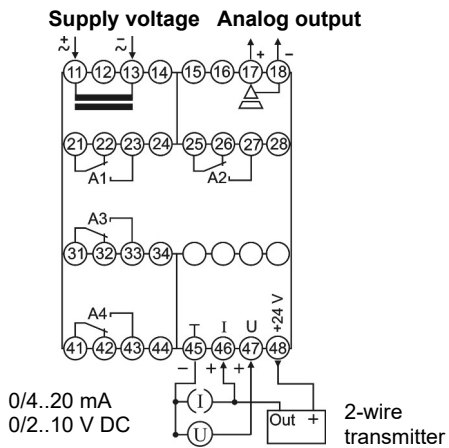
Continue next page

Produktinformation

Connection diagram

Model PMT50-1

Standard signals 0/4..20 mA, 0/2..10 V



Ordering code

PMT50 - 1. - 2. - 3. - 4. - 5. - 6.

1. Model/input	
1	standard signals 0/4..20 mA, 0/2..10 V DC
2. Analog output	
AO	0/4..20 mA, 0/2..10 V DC, isolated
3. Alarm outputs	
00	not installed
2R	2 relay outputs, A1, A2 SPDT
4. Alarm outputs/BUS configuration	
00	not installed
2R	2 relay outputs, A3, A4 SPDT
5. Supply voltage	
0	230 V AC, ± 10 % 50-60 Hz
1	115 V AC, ± 10 % 50-60 Hz
5	24 V DC, ± 15 %
6. Options	
00	without option